

DX420M

Prime Power Generator Set

Prime Power for Oil and Gas Applications

- Designed and built to meet demanding Oil and Gas requirements

Low Operating Cost

- High fuel efficiency
- Long service intervals

Outstanding Performance

- 100% single step load acceptance



Standard Equipment

- MTU Detroit Diesel Series 60 Engine
- DDEC-V controls
- EPA tier 3 non-road certified
- Fuel pump
- Fuel filters, primary & secondary
- Lube oil pump
- Oil cooler
- Oil filters
- Radiator, 113 °F ambient, blower fan
- Controller, digital type, plug & play
 - Manual start
 - Freq meter, voltmeter, ammeter
 - Engine functions
 - Alarms/safeties
 - Hourmeter
- Air cleaner, dry type, heavy duty
- 24 V starter
- 70 A alternator
- (2) HD batteries, mounted
- Skid, heavy duty structural steel (oilfield type), towbar (pipe) ends with caps

Optional Equipment

- Drip pan/skid plate
- Alternator drip cover
- Generator space heater, 120V
- O&M manual
- 1 year warranty
- Built for rugged applications and challenging environments
- DDEC V provides complete engine control, including safety shutdowns and self diagnostics
- Digital voltage regulator
- Jacket water heater, 240V
- Auto start
- Air start
- Air intake shutoff (on overspeed safety)
- Water separator fuel filter
- Circuit breaker
- Remote annunciator
- Remote shutdown
- Exhaust flex and silencer
- Extended warranty
- 50 Hz application



A Century of Innovation

DX420M Prime Power Generator Set

RATINGS

Prime kWe/kVA Ratings*	420/525
Rated Voltage	480/277 VAC
Rated Frequency	60 Hz
Rated Power Factor (lagging)	0.8

*At voltage, frequency and PF according to ISO 3046/1 conditions.

ENGINE

Manufacturer	MTU Detroit Diesel
Model	Series 60
Type	4 cycle
Fuel	Diesel
Cylinders	6 Inline
Power output (hp)	685
Speed (rated)	1800 rpm

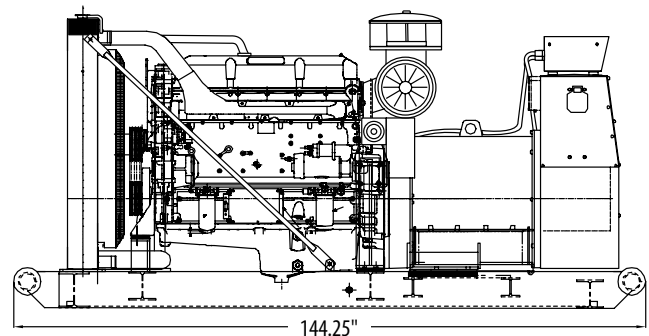
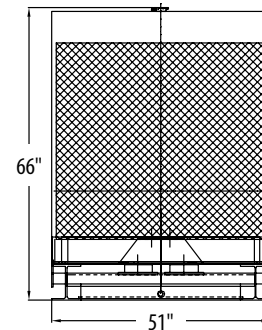
GENERATOR

Type	Brushless
Poles	4 pole
Bearing	Single, sealed
Insulation	Class H
Temperature rise @40 °C	105 °C
Exciter	PMG
Voltage Regulation	DVR

DIMENSIONS

WEIGHT (APPROX.)	7725 lbs
L x W x H (in inches)	144.25 x 51 x 66

All dimensions are in inches and are approximate. Air filters to be shipped loose, max dimensions shown.



Contact us today.

Albuquerque, NM

505-881-3511

Amarillo, TX

806-355-1688

Casper, WY

307-234-6975

Cleburne, TX

817-645-8106

Corpus Christi, TX

361-289-5350

Dallas, TX

214-631-5370

Denver, CO

303-287-7441

El Paso, TX

915-790-1848

Farmington, NM

505-325-5071

Gillette, WY

307-685-6413

Grand Junction, CO

970-248-4100

Houston, TX

713-671-6220

Lafayette, LA

337-837-9001

Longview, TX

903-758-5562

Lubbock, TX

806-745-4224

New Orleans, LA

504-347-4326

Odessa, TX

432-563-4800

Pharr, TX

956-787-6880

Pueblo, CO

719-543-7056

San Antonio, TX

210-662-1000

Waco, TX

254-857-4351

Wichita Falls, TX

940-322-5227

12-04-07 ©2012 Stewart & Stevenson

All data subject to change without notice. The information in this bulletin is believed to be accurate but all recommendations are made without warranty, since the conditions of use are beyond Stewart & Stevenson's control. Stewart & Stevenson disclaims any liability in connection with the use of this information, and does not warrant against infringement by reason of the use of any of its products in combination with other material or in any process. Stewart & Stevenson warrants only that the product complies with specifications agreed to in contracts of sale.

Visit us at www.stewartandstevenson.com



A Century of Innovation